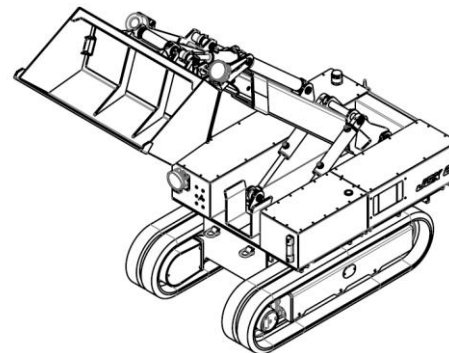


*Electro-hydraulic  
Remote controlled  
Track Loader*



**JOX E**



**HYDRA ROBOTICA**

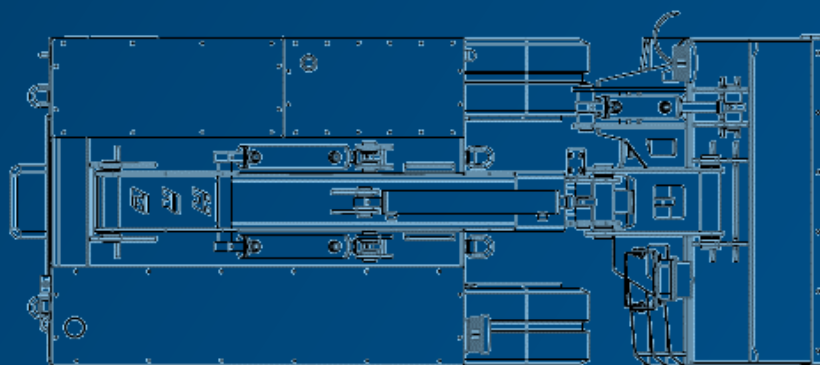
MADE IN ITALY



**HYDRA Robotica**

Headquarter  
Via Guiccioli 6  
40062 Molinella (BO) – Italy

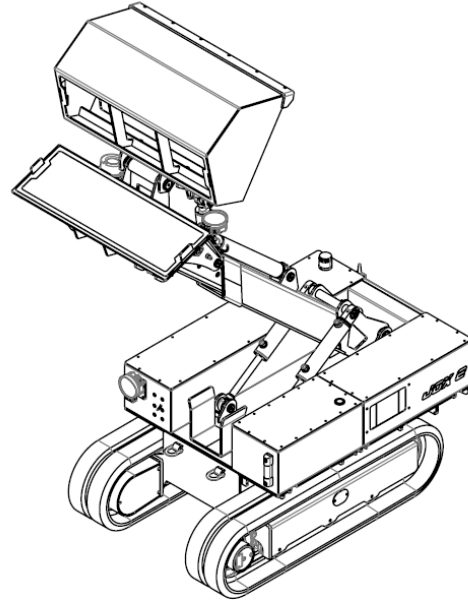
T: +39 051 6908660  
E: info@hydrarobotica.com



[www.hydrarobotica.com](http://www.hydrarobotica.com)

## Features:

- TELESCOPIC BOOM (stroke 400mm)
- TRACKED UNDERCARRIAGE RUBBER
- CLAMSHELL BUCKET
- BATTERY PACK WITH BMS
- REMOTE CONTROL
- VIDEOCAMERA (ANDROID & IOS)
- LED WORKING LIGHT
- LIFTING RING



## Optionals:

- ATEX CONVERSIONS



## Application fields:

- TANK CLEANING
- MINING
- CONFINED SPACES
- TUNNEL

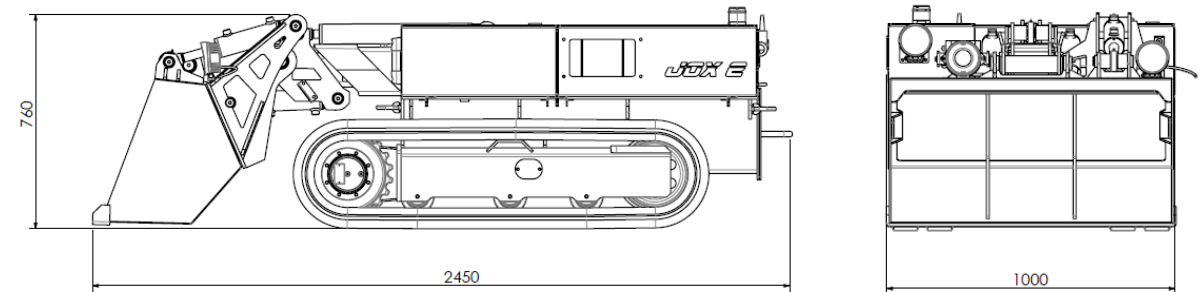


## Technical Features

	2450 x 1100 x 760		Q=30lt/min;P= 160 bar
	Batteries Lithium		>4 hours
	48V (24V aux)		150 lt
	15 kW		1200kg
	2 km/h		Wifi camera & LED lighs



## Dimensions



## Working Area

