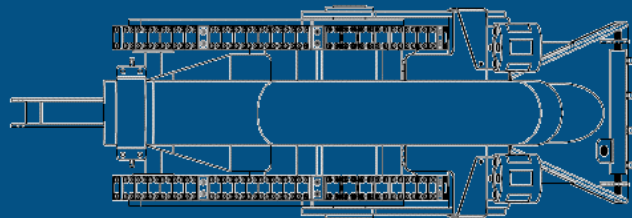


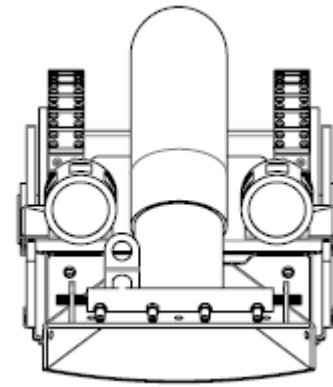
HYDRA Robotica

Headquarter
Via Guiccioli 6
40062 Molinella (BO) – Italy

T: +39 051 6908660
E: info@hydrarobotica.com



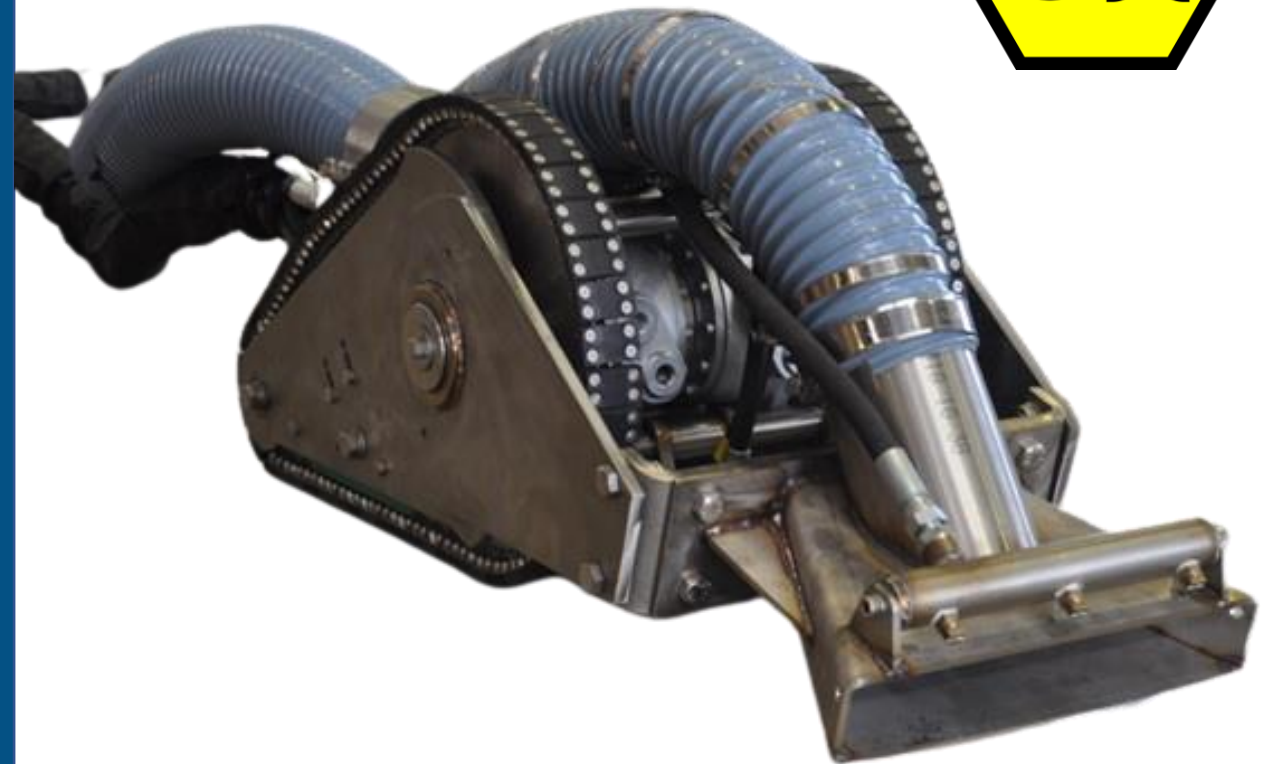
www.hydrarobotica.com



*Tank Cleaning
Robot
ATEX 0*

EXPLORER

Peak Power 11 kW



HYDRA ROBOTICA

Features:

MAGNETIC TRACKS

4" SUCTION HOSE

REMOTE CONTROL

VIDEOCAMERA (ANDROID & IOS)

LED WORKING LIGHT

MOVEABLE BUCKET

Optionals:

- ATEX CONVERSIONS



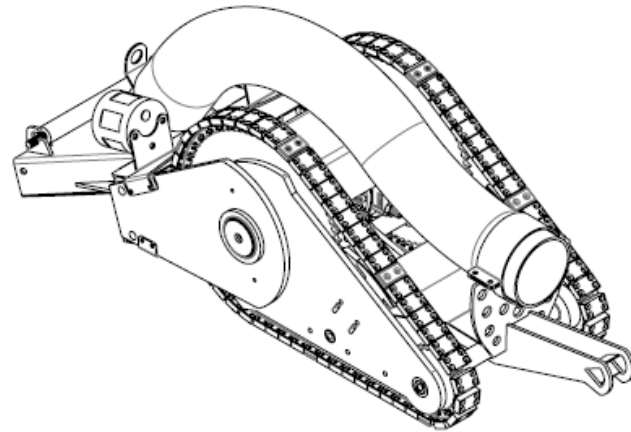
Application fields:

TANK CLEANING

MINING

CONFINED SPACES

TUNNEL



The robot eXPLORER is an hydraulic remote controlled robot designed to accomplish works in confined spaces. Its compact dimensions allow the entrance inside several manhole. The traction of the machine is done by track, the innovative design allows the robot to overtake obstacles. Chain can be made in different materials according to the specific boundary conditions. The machine can work complete submerged. Several tools have been designer according to accomplish several types of jobs. Washing, suction and inspection are just some of the robot specifications. The robot is fed by a power pack which is positioned in a safe area. All the movements of the robot are done remotely by the operator.

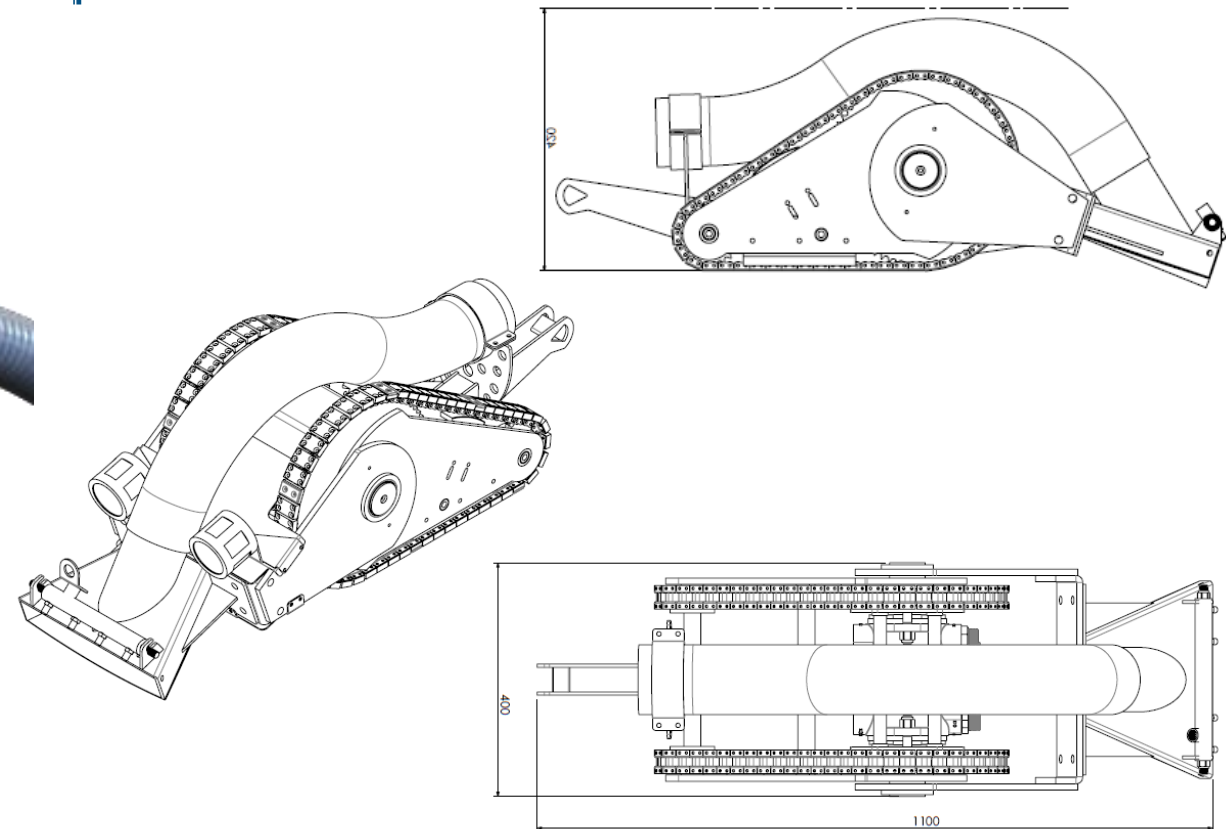


Technical features

	1100 x 400 x 400		Connection 4"
	Electro-hydraulic power pack		Q=30lt/min; P= 160 bar
	380V (220V)		D=500mm
	11 kW		110 kg



Dimensions



Working area

