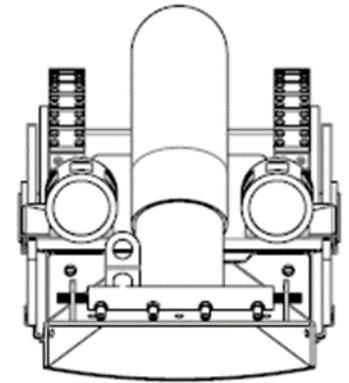
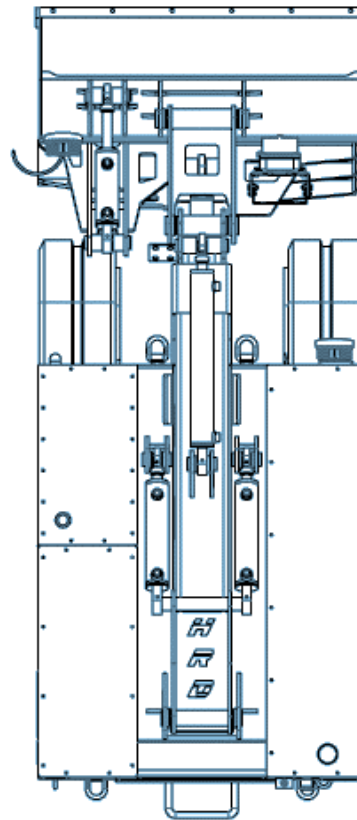


MADE IN ITALY



TANK CLEANING ROBOT



HYDRA Robotica

Headquarter
Via Guiccioli 6
40062 Molinella (Bologna) – Italy

T: +39 051 6908660
E: info@hydrarobotica.com



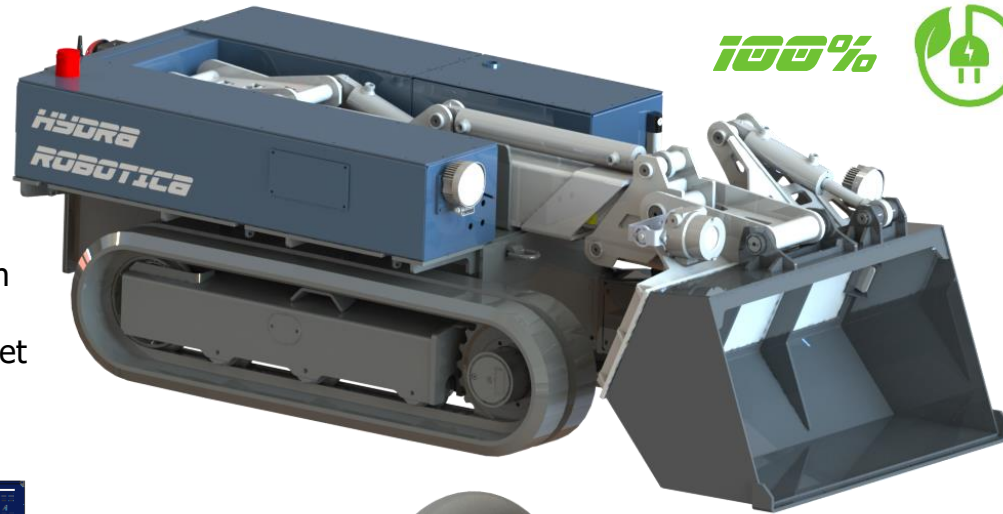
www.hydrarobotica.com

HYDRA ROBOTICA

JDX E



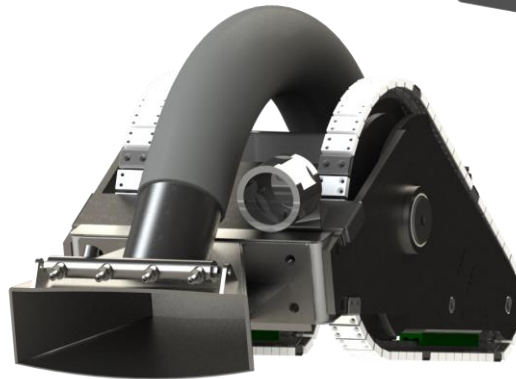
- 100% Electric driven unit
- Hydraulic power pack on board
- Battery pack on board
- Remote control for all the operation
- Rubber undercarriage
- Telescopic arm with clamshell bucket
- Video camera and light led system



EXPLORER



- External hydraulic power pack
- Equipped with front shovel and suction hose
- Radio control for all operations
- Magnetic/rubber track to enhance traction
- Video camera and light led system

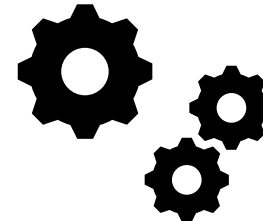
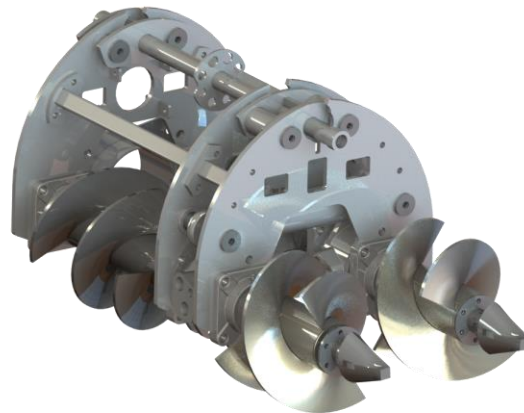


Available also
ATEX zone 0

TRACKER



- Double Screw Drive Traction
- Radio control for all operations
- External hydraulic power pack
- Designed for manhole 600mm
- Submerged operation
- Suction height hydraulic adjustment
- Video camera and light led system



Available also
ATEX zone 0

Hydra Robotica manufacture tank cleaning robot for many applications. Specialized in accomplish jobs in hazardous area, our robot are able to complete the job quicker and safier in comparison to human job. Hydra is caracterized by an innovative thinking and flexibility in the customization of the robot according to the job task.

LAYOUT

